



**SUBARU**

INSTRUCTIONS D'INSTALLATION

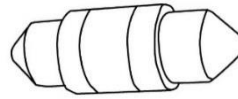
NUMÉRO DE PIÈCE: H461SFL100

DESCRIPTION : TROUSSE D'AMPOULE À DEL INTÉRIEURE

### CONTENU DE LA TROUSSE

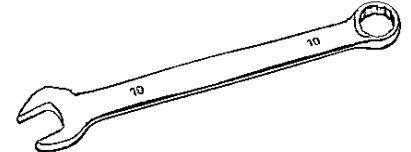
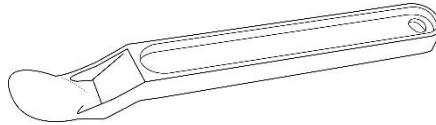
Part	Name	Qty
a	Interior Light Bulb	3

a

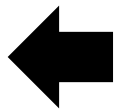


### TOOLS REQUIRED:

- Scotty Peeler Trim Removal Tool
- 10mm wrench



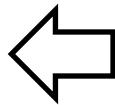
### MEANING OF CHARACTERS:



:REMOVE



:TIGHTENING  
TORQUE



:INSTALL



:LOOSEN



:DISCONNECT



:DISCARD



:CONNECT



:REUSE



:CLIP LOCATION



**SUBARU**

INSTALLATION INSTRUCTIONS

PART NUMBER: H461SFL100

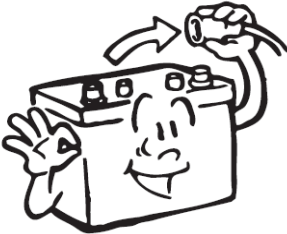

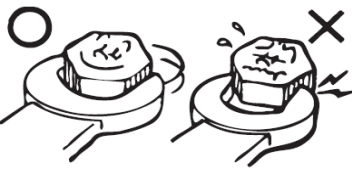


DESCRIPTION: INTERIOR LED LIGHT BULB KIT

**PRECAUTIONS:**



**ATTENTION**

- Please refer to the precautions below before you begin work, in order to install the product safely and accurately.

	<ul style="list-style-type: none"> <li>• Please disconnect the negative battery cable while conducting wiring operations. Failure to do so may result in electric shock or injury.</li> </ul>
	<ul style="list-style-type: none"> <li>• Please confirm that the electrical components of the vehicle operate normally. Also, please make a note of the data in the memory of the electrical components such as the radio. This will help avoid problems that may arise when performing the repair check after installation.</li> </ul>
	<ul style="list-style-type: none"> <li>• When tightening bolts or screws, use the proper tools and the proper size, and comply for the specified torques specified for the part. Failure to securely tighten the bolt or screw may cause them to loosen and fall off, causing damage.</li> </ul>
	<ul style="list-style-type: none"> <li>• Be careful not to forcefully pull the wiring harness of the vehicle. This helps prevent the connector from being disconnected, and the wires from being cut or damaged.</li> </ul>
	<ul style="list-style-type: none"> <li>• After installing the wiring, perform an operations check on the newly installed parts before reassembling. This helps prevent mis-wiring.</li> </ul>



**SUBARU**

INSTALLATION INSTRUCTIONS

PART NUMBER: H461SFL100

DESCRIPTION: INTERIOR LED LIGHT BULB KIT

**CAUTION:**



When using trim removal tool, apply protective tape or cloth to avoid damage to plastic covers.



Use a dry clean cloth to handle light bulbs; adhesion of grease or water can damage the bulb.

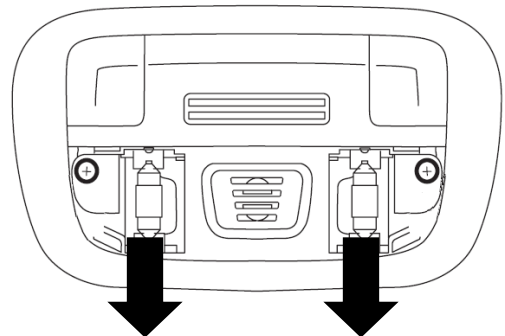
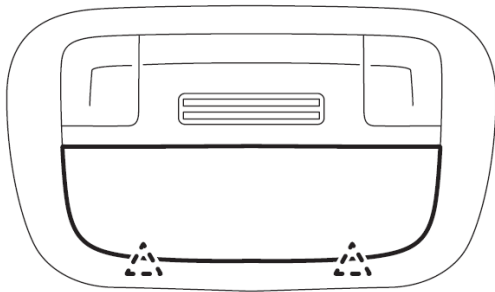
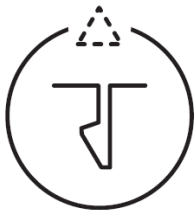
**INSTALLATION:**

**1. Battery Cable:**

- 1) Unlock all doors, open trunk, and open hood.
- 2) Using a 10mm wrench, disconnect the negative battery cable

**2. Spot Map Light:**

- 1) Use a trim removal tool to release the retaining tabs and remove the lens cover.
- 2) Remove the light bulbs from the housing and discard.



**\*Models without sunroof**

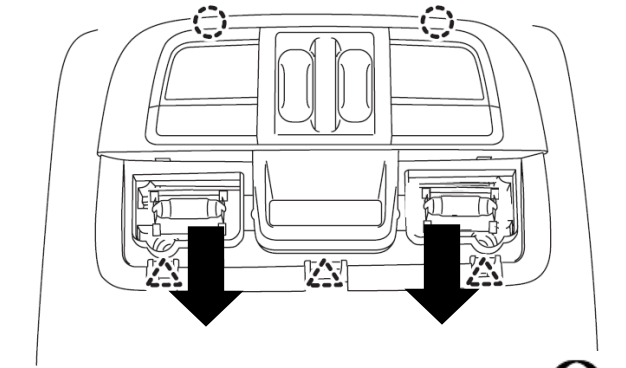
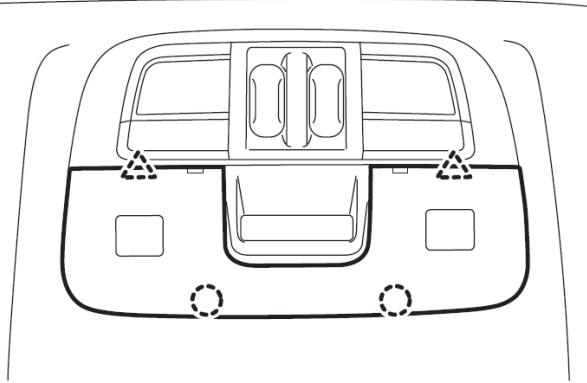
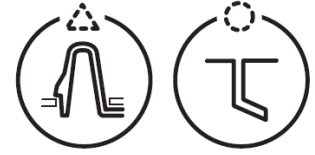
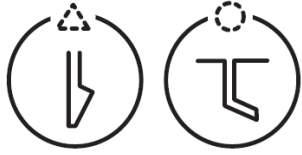


**SUBARU**

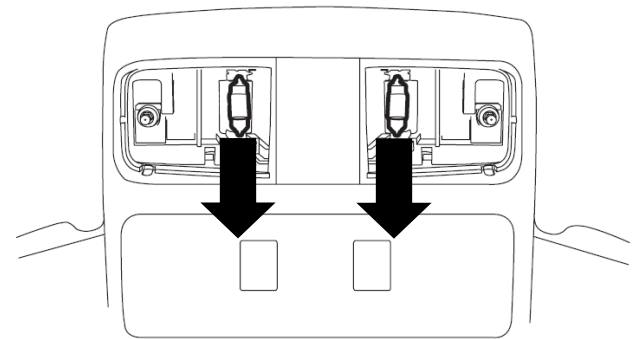
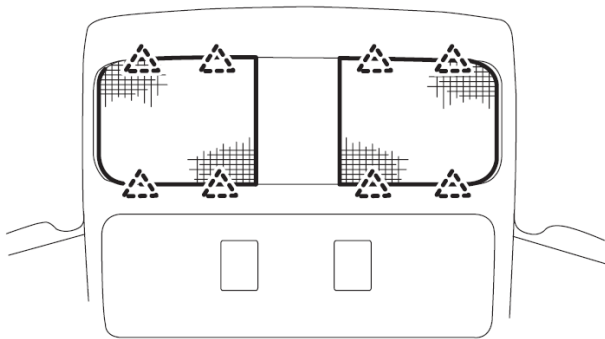
INSTALLATION INSTRUCTIONS

PART NUMBER: H461SFL100

DESCRIPTION: INTERIOR LED LIGHT BULB KIT



\*Models with sunroof



\*Models with EYESight

DESCRIPTION  
INTERIOR LED LIGHT BULB KIT

ISSUE  
01

DATE  
07/01/17

SUBARU OF AMERICA

PAGE  
4 / 7



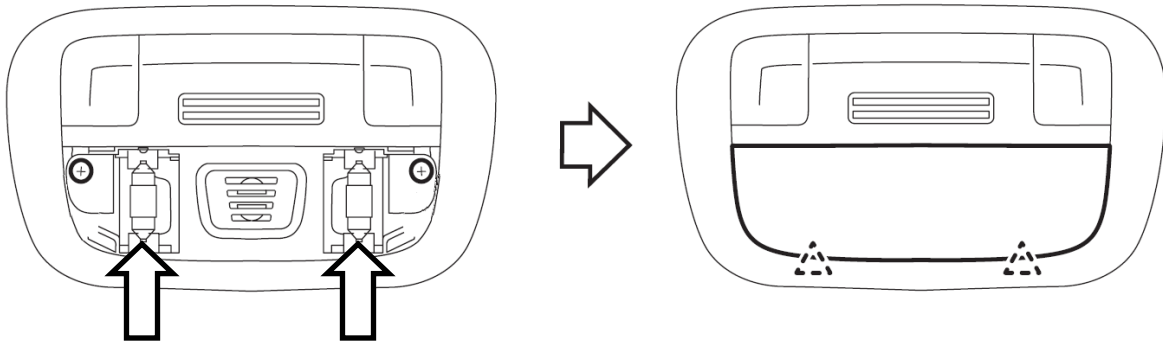
**SUBARU**

INSTALLATION INSTRUCTIONS

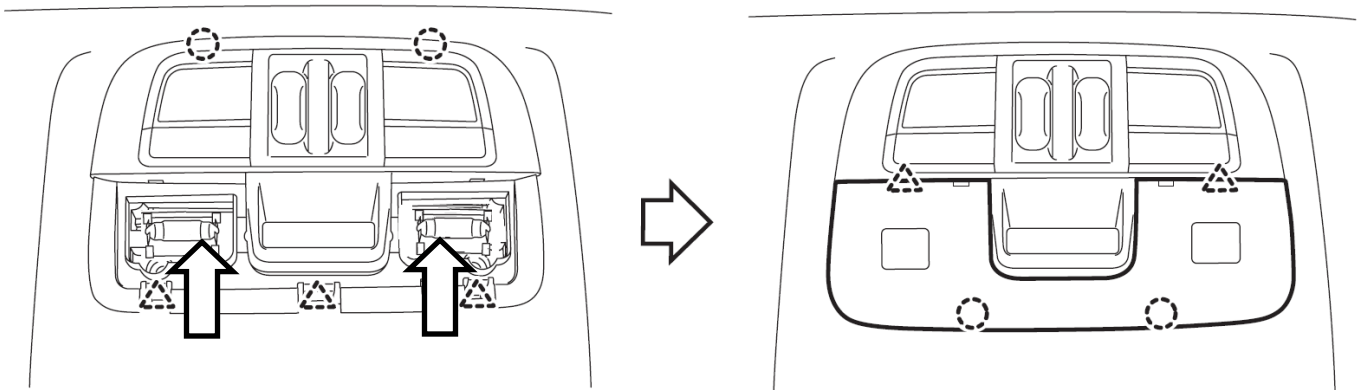
PART NUMBER: H461SFL100

DESCRIPTION: INTERIOR LED LIGHT BULB KIT

- 3) Install new LED bulbs(a) into the housing.
- 4) Install lens cover.



**\*Models without sunroof**



**\*Models with sunroof**

DESCRIPTION  
INTERIOR LED LIGHT BULB KIT

ISSUE  
01

DATE  
07/01/17

SUBARU OF AMERICA

PAGE  
5 / 7

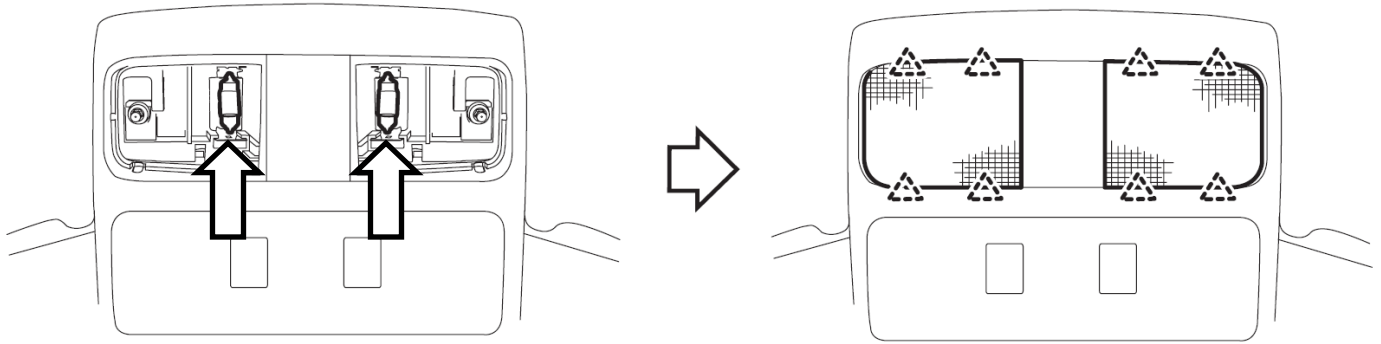


**SUBARU**

INSTALLATION INSTRUCTIONS

PART NUMBER: H461SFL100

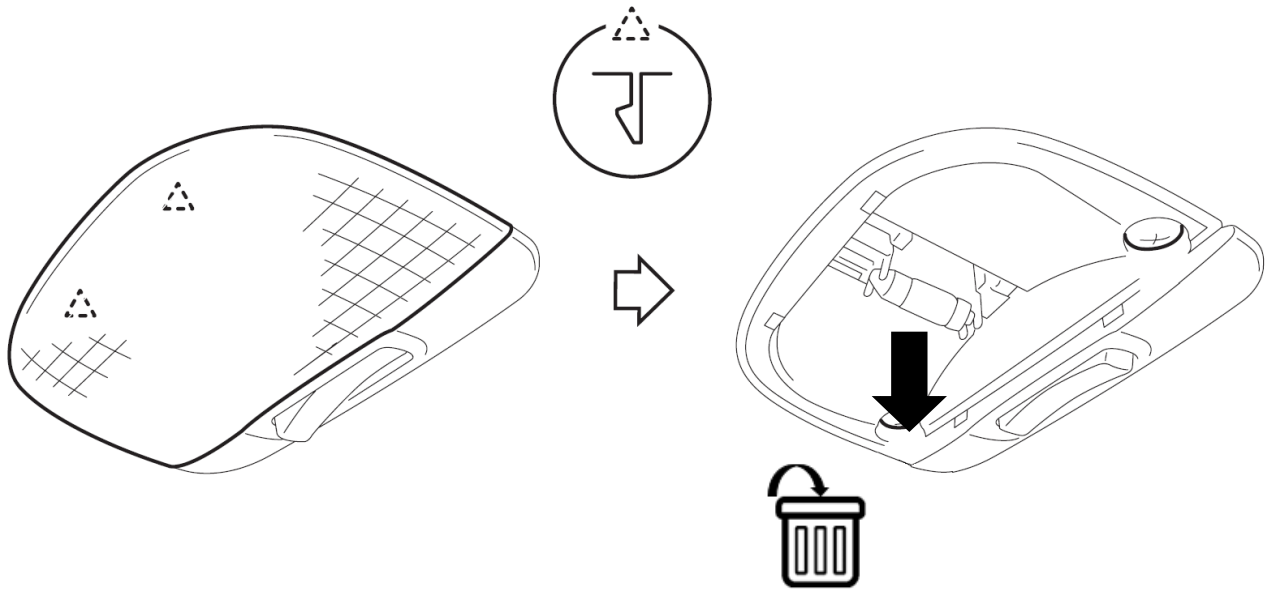
DESCRIPTION: INTERIOR LED LIGHT BULB KIT



\*Models with EYESight

### 3. Room Light

- 1) Use trim removal tool to release the retaining tabs and remove the lens cover.
- 2) Remove the light bulb from the housing and discard.



DESCRIPTION  
INTERIOR LED LIGHT BULB KIT

ISSUE  
01

DATE  
07/01/17

SUBARU OF AMERICA

PAGE  
6 / 7



**SUBARU**

INSTALLATION INSTRUCTIONS

PART NUMBER: H461SFL100

DESCRIPTION: INTERIOR LED LIGHT BULB KIT

- 3) Install new LED bulb(a) into the housing.
- 4) Install lens cover.

